

CABLE 242 RF: RF CABLE ASSEMBLY, I-PEX MHF + FRONT MOUNT SMA FEMALE S/T BULKHEAD JACK + MULTIPLE CABLES SIZES

SPECIFICATIONS :

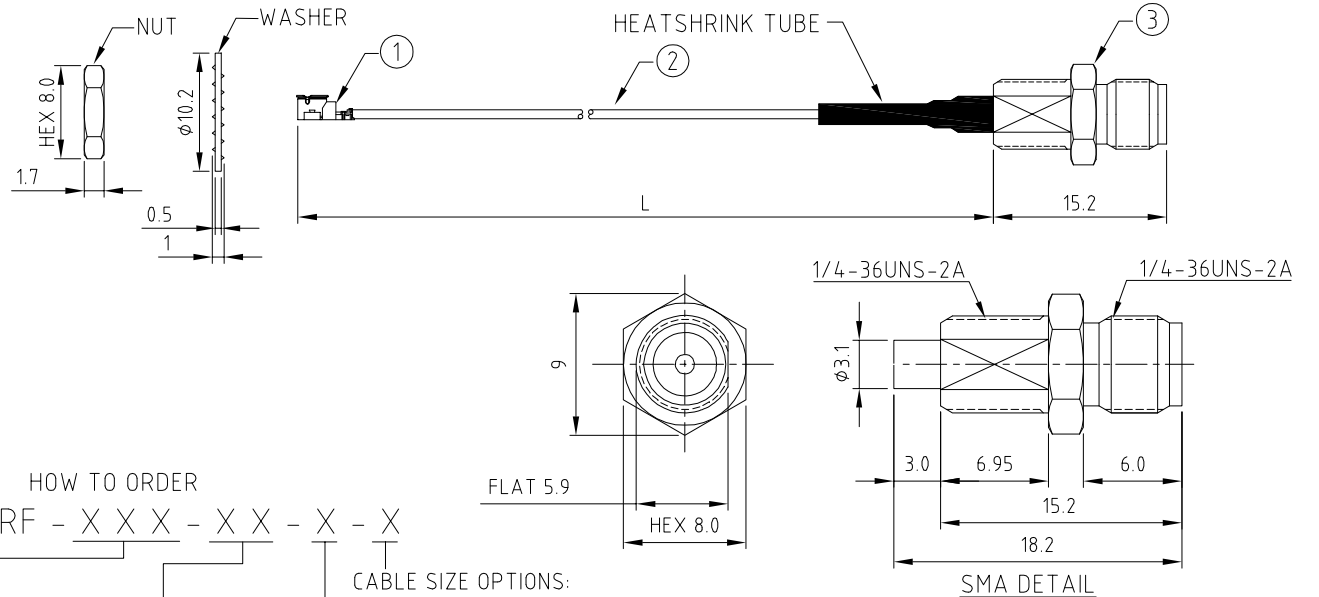
1. I-PEX MHF PLUG, P/N: 20278-112R-13 FOR  $\phi$ 1.13MM CABLE OR I-PEX MHF PLUG, P/N: 20278-112R-18 FOR RG178 CABLE.
2.  $\phi$ 1.13MM CABLE, COLOR: GRAY OR RG178 CABLE, COLOR: BROWN.
3. FRONT MOUNT SMA STRAIGHT BULKHEAD JACK, P/N: RFCT-SMA020-F13, FOR  $\phi$ 1.13MM CABLE OR P/N: RFCT-SMA021-F78 FOR RG178 CABLE

USAGE PRECAUTIONS: CABLES USING 'MICRO' COAX ARE DELICATE:

- (i) HANDLE WITH CARE.
- (ii) DO NOT TWIST; APPLY EXCESSIVE FORCES OR SHARP BENDS TO THE CABLE. DO NOT FORCEFULLY DEFORM WIRES.
- (iii) CONSULT CONNECTOR MANUFACTURER'S DATASHEETS FOR DETAILED NOTES ON HANDLING INSTRUCTIONS.

NOTES:

1. THE ORIENTATION OF CONNECTORS ON DRAWING IS FOR REFERENCE ONLY, IF THE ORDER IS LEFT BLANK THE CONNECTOR WILL NOT HAVE FIXED ORIENTATION.
2. FIXED ORIENTATION IS SUGGESTED FOR CABLE LENGTH 25MM TO 100MM. PLEASE SPECIFY THE FIXED ORIENTATIONS FROM THE ORDER CODE (F1, F2, ETC)
3. CONTACT GRADCONN IF THE ORIENTATION YOU REQUIRE IS NOT SHOWN.
4. WORKING FREQUENCY RANGE: DC-6GHz.
5. IT IS INTENDED THAT MOUNTING OF THIS CONNECTOR IS ACHIEVED USING THE NUT AND WASHER PROVIDED. PLEASE CONTACT GRADCONN FOR ADVISE IF PLANNING TO USE A DIFFERENT METHOD OF MOUNTING.
6. OPERATING TEMPERATURE: -40°C TO +85°C
7. IMPEDANCE: 50 OHM.



HOW TO ORDER

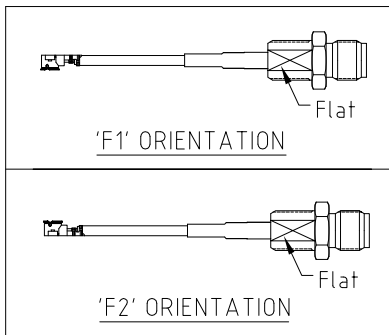
CABLE 242 RF - X X X - X X - X - X

"L" LENGTH IN MM:  
 eg: 100MM = 100  
 (MIN. 025-MAX.400)  
 STANDARD = 100, 150, 200)  
 Tolerance: 25-50mm: ±2mm.  
 51-200mm: ±5mm.  
 201-400mm: ±7mm.

CABLE SIZE OPTIONS:  
 1 =  $\phi$ 1.13MM CABLE, COLOR: GRAY  
 2 = RG178 CABLE, COLOR: BROWN

WASHER AND NUT OPTIONS:  
 BLANK = SEPARATELY PACKED (STANDARD)  
 A = ALL ASSEMBLED WITH CONNECTOR

ORIENTATION OPTIONS:  
 BLANK = DOES NOT HAVE A FIXED ORIENTATION  
 F1 = MHF CONNECTION DOWN (L=25-200MM)  
 F2 = MHF CONNECTION UP (L=25-200MM)  
 (SEE NOTES 1, 2, 3 AND DIAGRAMS FOR MORE INFORMATION)



REV. DATE & DRN  
 10 01/08/16 - R/JH RELEASE  
 11 18/08/20 - NYW  
 ADD NOTE 5, NYW  
 12 ADD NOTE 6 & 7

Scale: NTS	THIRD ANGLE	Unstated: .X, .XX, .XXX ANGLES	Tolerances: N/A, N/A, N/A, N/A	Material: SEE NOTE
Drawn: RJH		Title: CABLE ASSEMBLY		NOT TO SCALE
App'd: XXX	Revision: 1.2	Unit: mm		
Date: 26 APR. '21				



THIS DRAWING IS CONFIDENTIAL AND MUST NOT BE COPIED OR DISCLOSED WITHOUT WRITTEN CONSENT

Type: Cable 242 RF
CABLE 242 RF
Drawing Number:
Sheet 1 of 1
Drawing © E and O E